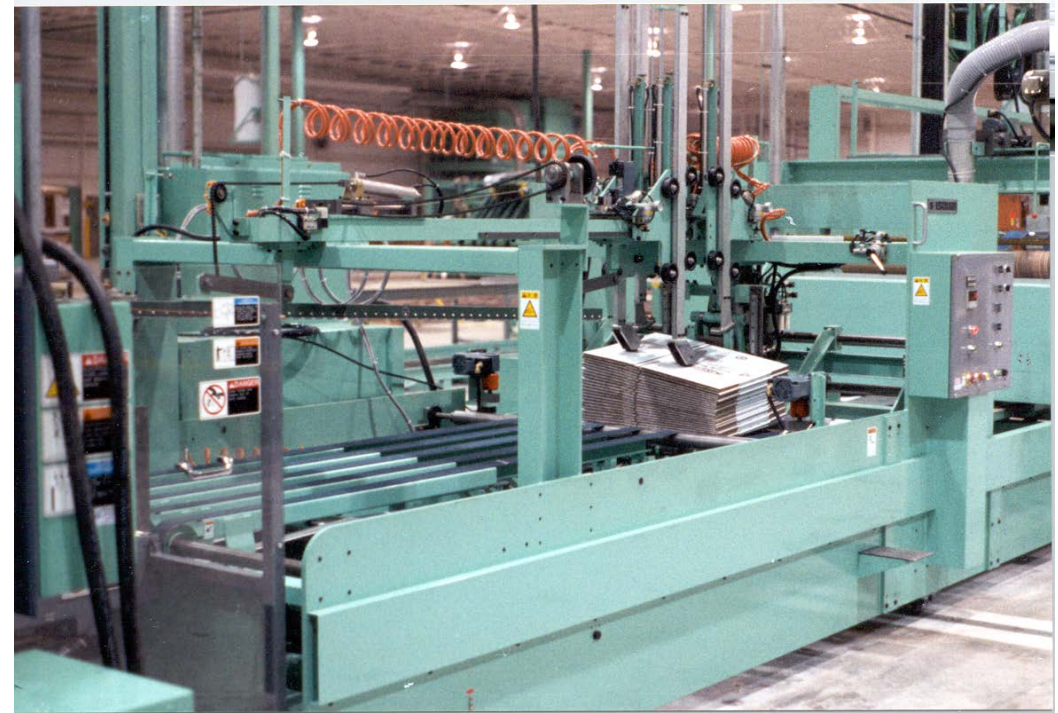


Systemec Conveyors

Conveyor Safety in Material Handling



When thinking of safety, your conveyor system should be treated in the same manner as a machine would be.

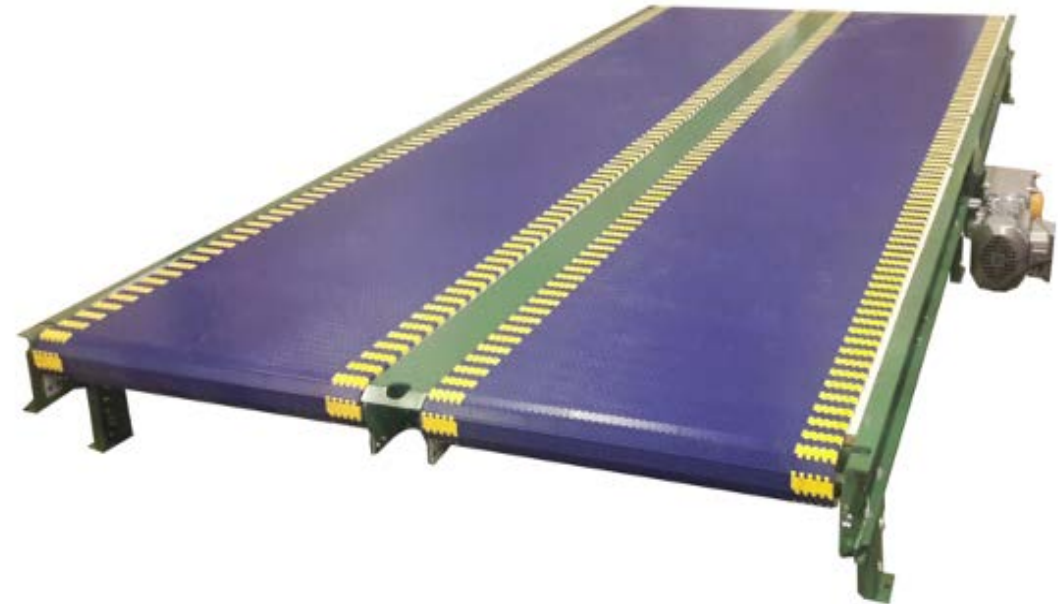


Never walk on conveyors!

Attempting to stand or walk on roller conveyors will likely result in injury.



Designated walkways include:
belt-over-roller conveyors & plastic stable stack conveyors.



We recommend installing walkplates for safe crossing.



Recognize and follow warning labels.

Do not walk on this conveyor for any reason. Use the nearest designated walkway.



You may walk safely in designated walkway areas where walkplates & stable surface conveyors are installed.



Never operate equipment without guards in place.



Recognize and follow warning labels.

Be cautious of areas with labels that identify electrical controls. Breaking the invisible beam can cause equipment to operate automatically.



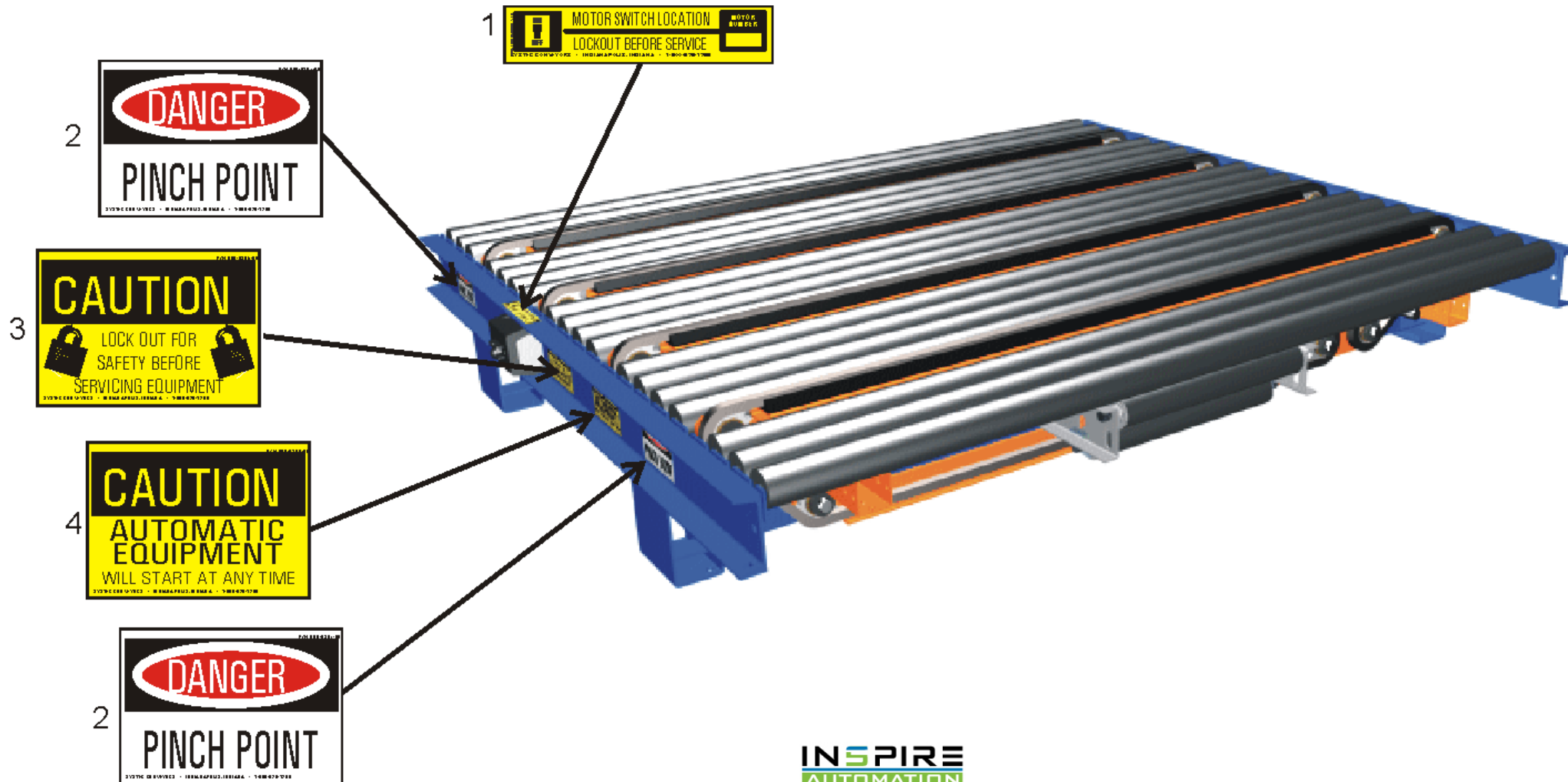
All motor locations should be identified & marked for the appropriated conveyor or device that it controls.



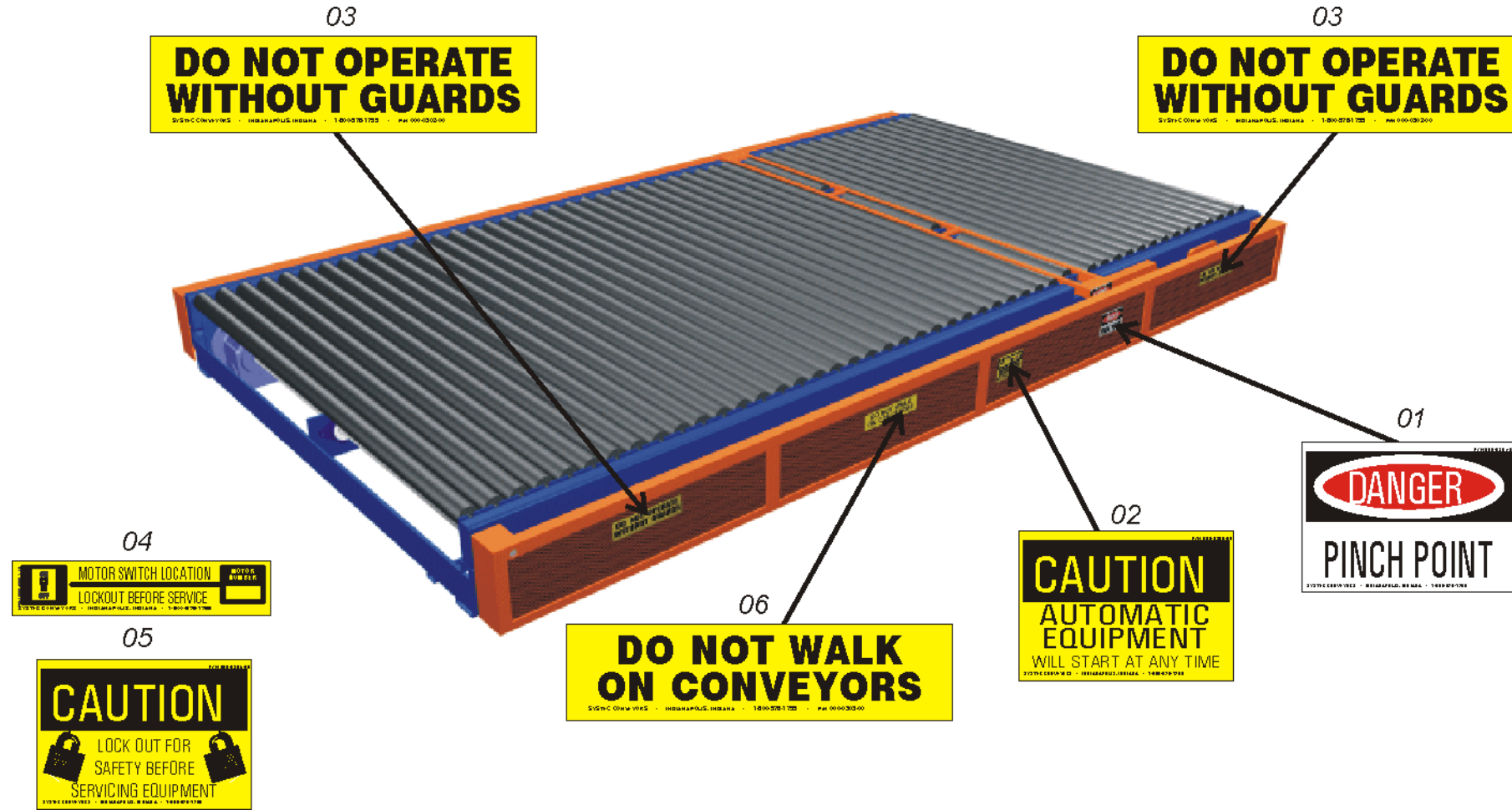
High voltage enclosures, controls & areas should be clearly identified to prevent injury.



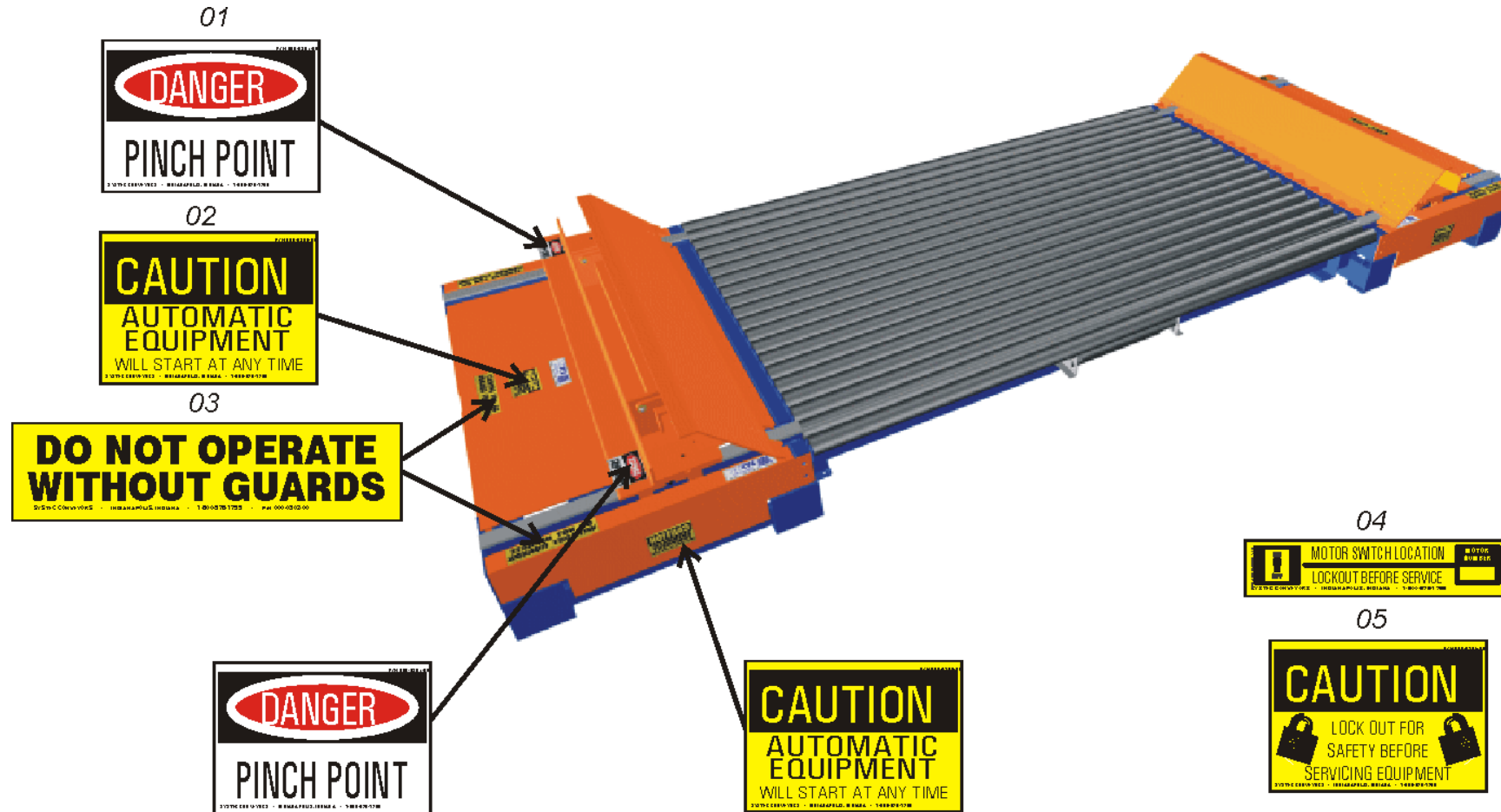
Ensure that safety labels are in place to inform personnel.



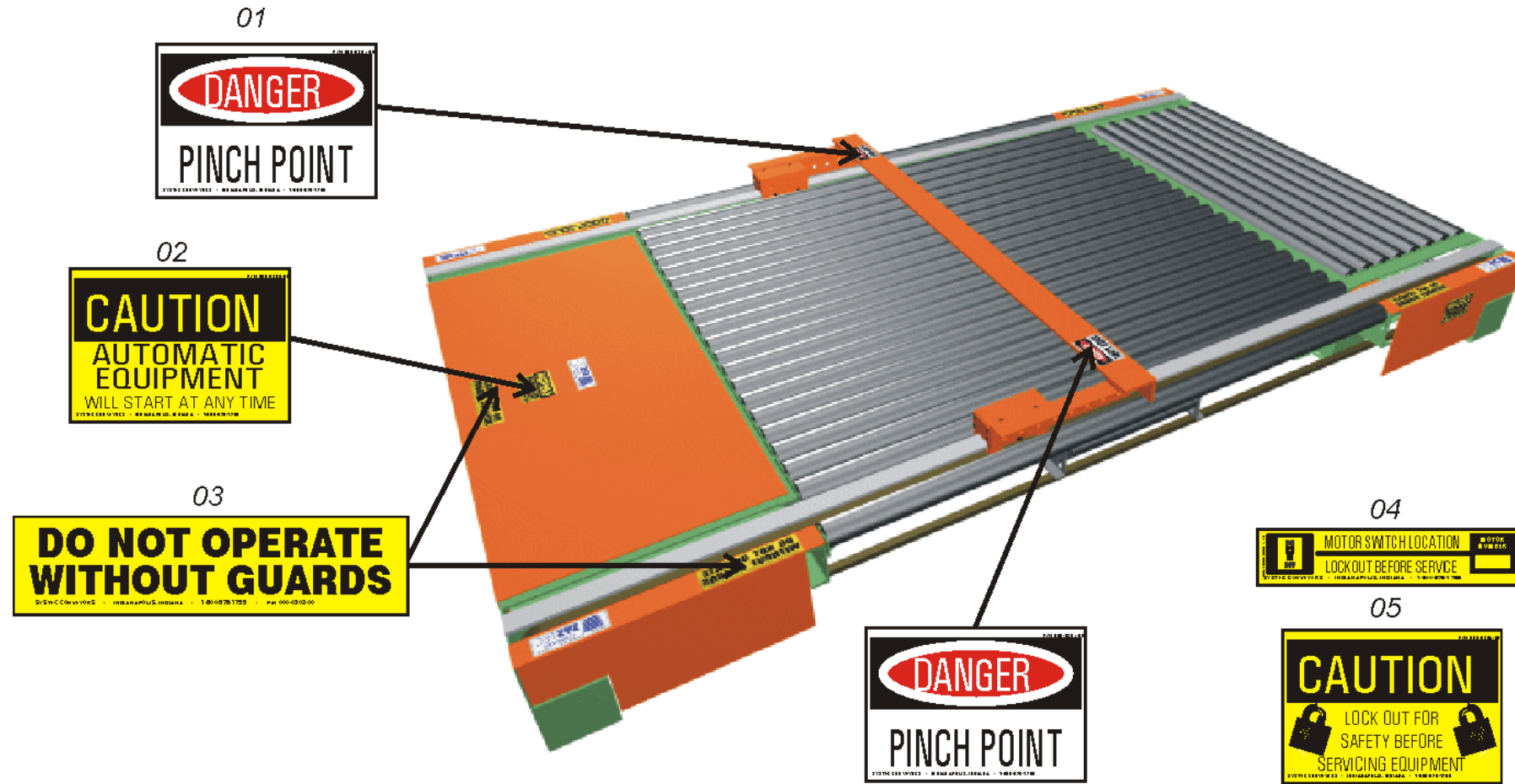
Ensure that safety labels are in place to inform personnel.



Ensure that safety labels are in place to inform personnel.



Ensure that safety labels are in place to inform personnel.

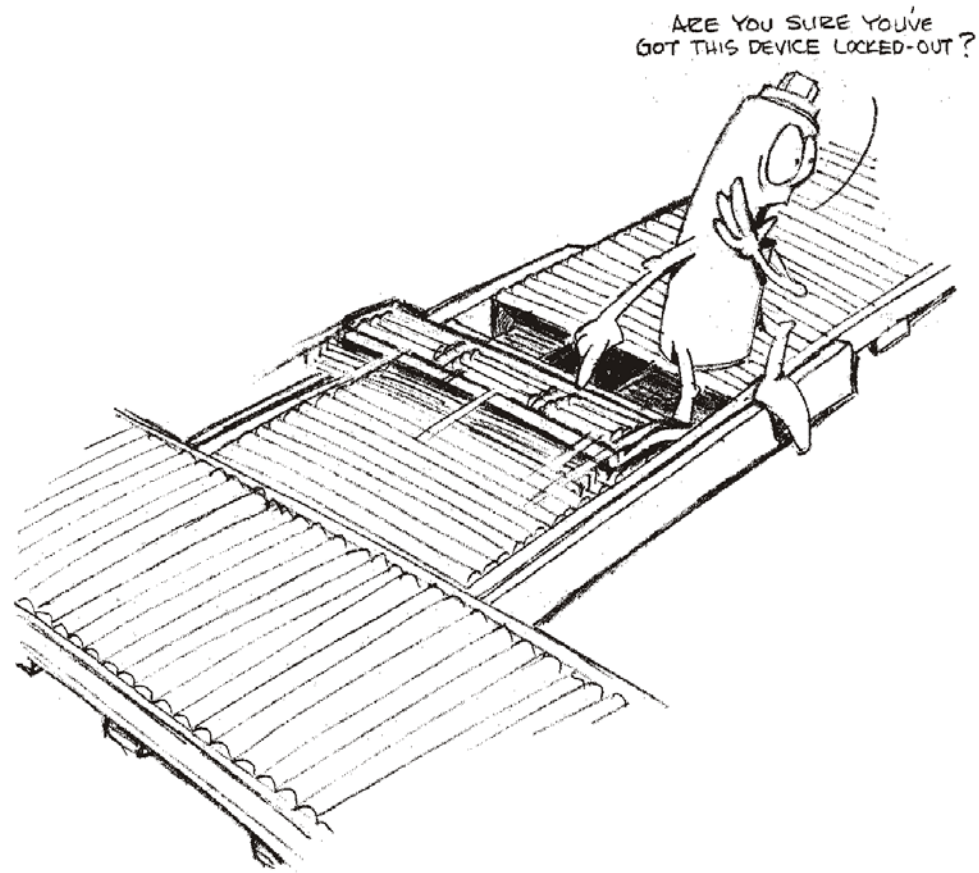


Mobile Conveyors

Typical safety features on high speed cards should include:



Speak to your regional sales manager about options for after market safety devices.



For safety questions regarding your specific devices,
contact us at: 1-800-578-1755